

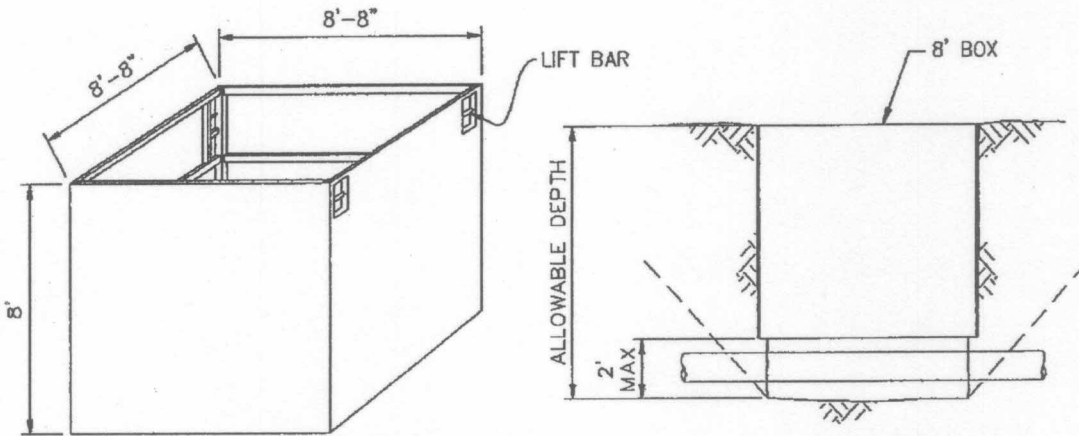
MANUFACTURERS TABULATED DATA SHEET

MANUFACTURERS DATA

MODEL NO. 8 x 8 x 8

BOX DEPTH	8	FT
LENGTH	8	FT
WALL THICKNESS	3.4	IN
SHIELD WEIGHT	2337	LBS
MAXIMUM DEFLECTIC	0.91	IN

BOX RATING(PSF)	ALLOWABLE LOADING AND DEPTH (FT)			
	A-25	B-45	C-60	C-80
1500	40	40	25	19



Notes:

- 1) All excavations shall be in accordance with OSHA CFR 29, Part 1926, Subpart P. July 1997.
- 2) Soil shall be classified in accordance with OSHA Appendix A or by a registered civil engineer prior to installing this equipment.
- 3) Box may be held 2 ft above the bottom of the excavation. Boxes may be stacked provided stacking pins are used.
- 4) Surcharge load shall be determined by a competent person or engineer. The above depth ratings allow a 72 PSF surcharge load. Equipment and spoil piles spaced minimum 2 FT from the edge of the excavation will exert a 72 PSF surcharge load.
- 5) Repairs and modifications shall be approved by manufacturer or RCE.

TIS

RENCH & TRAFFIC SAFETY SUPPLY INC
 2175 Acoma street
 Sacramento, Ca. 95815
 (916) 920-3304 Phone
 (916) 920-3305 Fax
www.flagger.info



Box 8x8x8-3" wall

J.M. TURNER ENGINEERING, INC.
CONSULTING ENGINEERS

 1335 N. DUTTON AVE., SANTA ROSA, CA.
 (707) 528-4503 FAX (707) 528-4505

DATE	REVISED	JOB
1/22/2002		6994